

## Sistema Completo de Grabación en Tiempo Real 4 Canales



### ▶ Display en Vivo

120fps Real-time display / 30fps per camera  
Auto Sequence  
PIP (Picture in picture)  
Digital Zoom of display  
Simple playback mode

### ▶ Grabación

120fps Real-time Recording / Variable Record resolution  
(For higher picture quality or higher recording speed)  
Efficient Image Quality step in 5 steps  
Schedule recording

### ▶ HDD / Network

### ▶ Playback

Search and playback by recorded data size and date/time

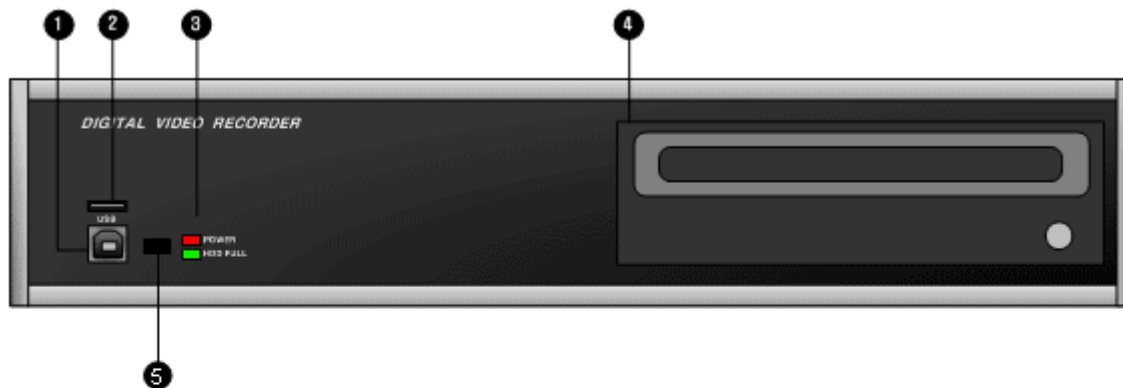
### ▶ Data backup

Simple backup using CD-RW  
Remote viewer backup in AVI, JPEG file  
Supports bigger capacity of HDD

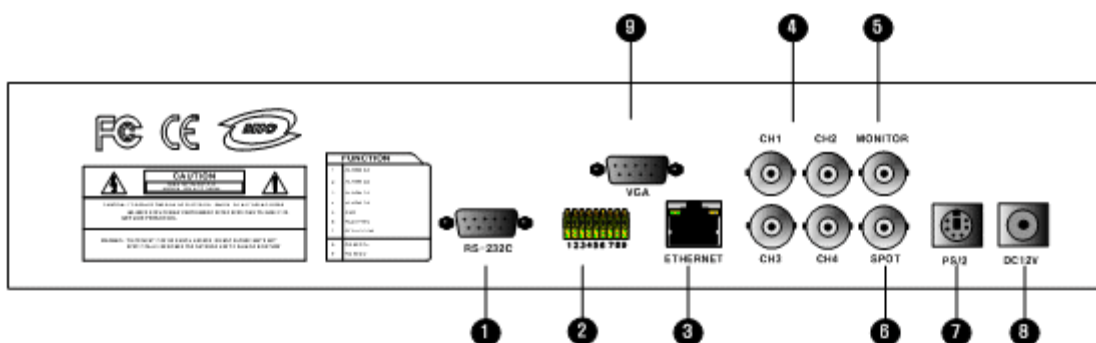
### ▶ Others

Supports UNI-CODE  
Supports SPOT Monitor  
PAL/NTSC Auto detection

### Function of Each Button



Name	Function
① USB Device	Used for updating Firmware
② USB HOST	Used for Data Backup
③ LED Lamps	Shows status of operation
④ CD – RW	Used for Data Backup and Firmware upgrade
⑤ IR	IR receiver



	Name	Function
1	RS-232C	Connection to external device as PC using RS-232C to control the DVR
2	RS 485	Connection with PTZ camera or other external device using RS 485 interface
	RELAY Output	Relay out terminal
	SENSOR Input	Sensor input terminal
3	ETHERNET	Connection to ETHERNET device
4	CAMERA Input	Connection with camera (NTSC / PAL)
5	MONITOR Output	Connection with Composite Monitor (NTSC / PAL)
6	SPOT Monitor Output	Connection with Composite Monitor (NTSC / PAL)
7	PS/2	Connection with PS/2 MOUSE
8	DC Power	DC over 12V adapter
9	VGA	Connection to VGA Monitor (CRT type or TFT LCD monitor)

## Product Specifications

Multiplex function		Triplex (Playback/Recording/Ethernet)
Storage	HDD	250GB IDE HDD Included
Capacity	Backup	LG 52X CD-RW
Video	Inputs	4Ch Composite
	Outputs	2Ch (Monitor / SPOT) Composite, 1Ch VGA (Included)
	Compression	MJPEG
	Compression Rate	LOWEST, LOW, NORMAL, HIGH, HIGHEST
	Live Display Speed	Real Time Live Display
Recording Mode		Time, Motion, Schedule, Alarm
Search		Event Search, Date/time Search, Percent Search
Recording Speed (NTSC/PAL)		Max. 120IPS(NTSC) 100IPS(PAL)
Recording Resolution (NTSC/PAL)		Half D1 (704x240/704x288), CIF (352x240/352x288)
Switching Interval		1~99 Sec selectable
Live Division Screen		1 / 4 Split, Digital Zoom, PIP in live mode
Alarm	Inputs	4 Alarm (NO/NC Selectable)
	Outputs	1 (NO/NC)
	Post Alarm	Alarm output duration : 1 ~ 99 Sec selectable
Network		Ethernet (TCP/IP), Web viewer included
Backup		USB / CD-RW Back up, Download via IP Network
PTZ Control		RS-485, MOUSE(PAN/TILT/ZOOM)
Firmware upgrade		USB Port for firmware upgrade, CD-R
Serial I/F	RS-485	For PTZ Camera Control
	RS-232C	For operation using keyboard of PC
Remote Controller		Warless IR DVR Controller (included)
Country of Origin		Made in Korea - Reliable & Durable (2 Year Warranty)
MJPEG Compression Algorithm		
Real time live display in all channels		
Triplex (Playback/Recording/Ethernet)		
Web monitoring and download through network		
Easy control by Mouse		
USB host for data backup		
Easy PTZ Camera (MOUSE)		
Password protection		

**CO35 Color Camera**



Optical Technology Base	COLOR 1/3"
Picture elements	EIA/NTSC: 512H x 492V - CCIR/PAL: 512H x 582V
Horizontal resolution	420 Lines
Minimum Illumination	1 Lux
Horiz. Sync. Frequency	EIA/NTSC 15.734 & CCIR/PAL 15.625
Vertical frequency	EIA/NTSC 60Hz & CCIR/PAL 50Hz
Scanning system	2:1 interlace
S/N Ratio	46 dB
Electronic shutter	1/10.000 / Sec Linear
Lens	3.6mm / F2
White Balance	Auto Tracing
Gamma	0.45
Auto Gain Control	Yes
Video Output	1V p-p, 75 ohms
Power supply	12VDC (+/- 0.5V)
Power Consumption	200mA
Dimensions	106 x 86mm
Weight	140g
Storage Temperature	-30° C ~ 60° C
Operation Temperature	-10° C ~ 45° C

**Slamese Combo cable**



66 and 150 ft./20M RCA dual Cable (male male) and DC (male female) ALL IN ONE CABLE.

**12V Power Supply & 9DC/AC Connector**



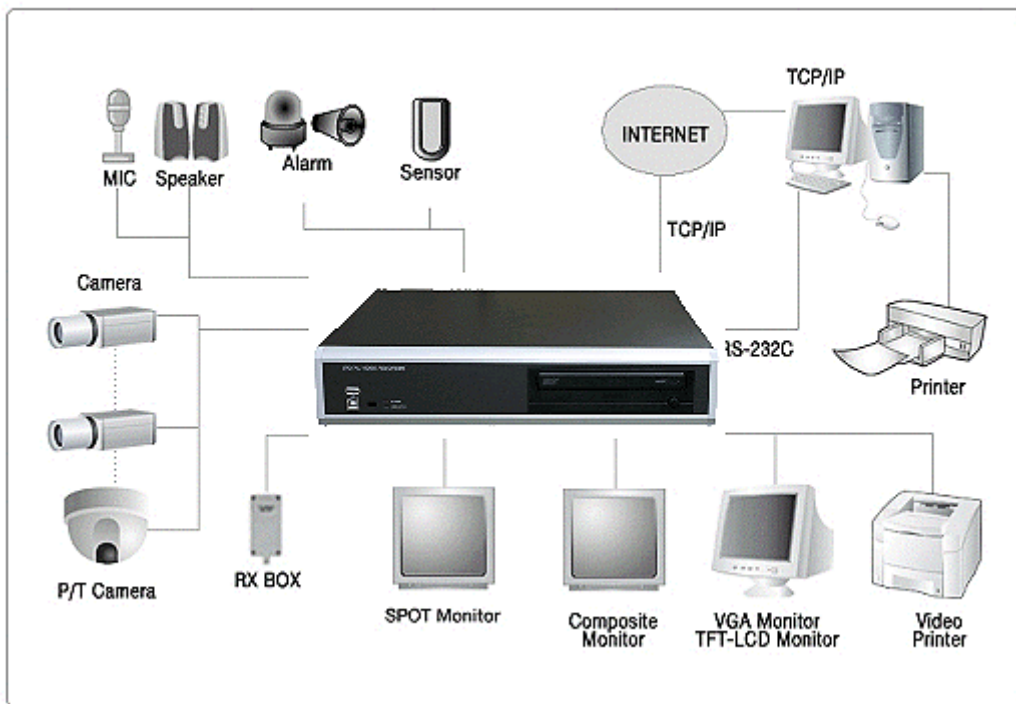
9 port power supply

Power Supply 12V 3.5 Amp UL Listed REGULATED Switchable. 9 Terminal DC & AC Connector.

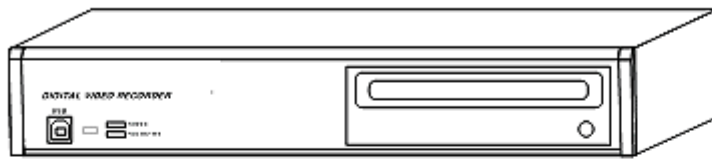


9 Terminal DC & AC Connector

**Installation Configuration**



**Package Contents**



1. DVR Main Unit

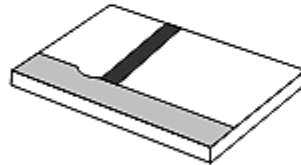
10. Remote Controller



2. Power Cable



3. Power Adapter



4. User's Manual



5. Software CD



6. Rubber Pad



7. HDD absorber



8. Bolts



9. Mouse