

## Camara Tipo Domo de Alta Velocidad con Housing

### Ultra Hi-Speed Dome - Ultra Quite Motor

Colour / Monochrome External Middle Speed Dome

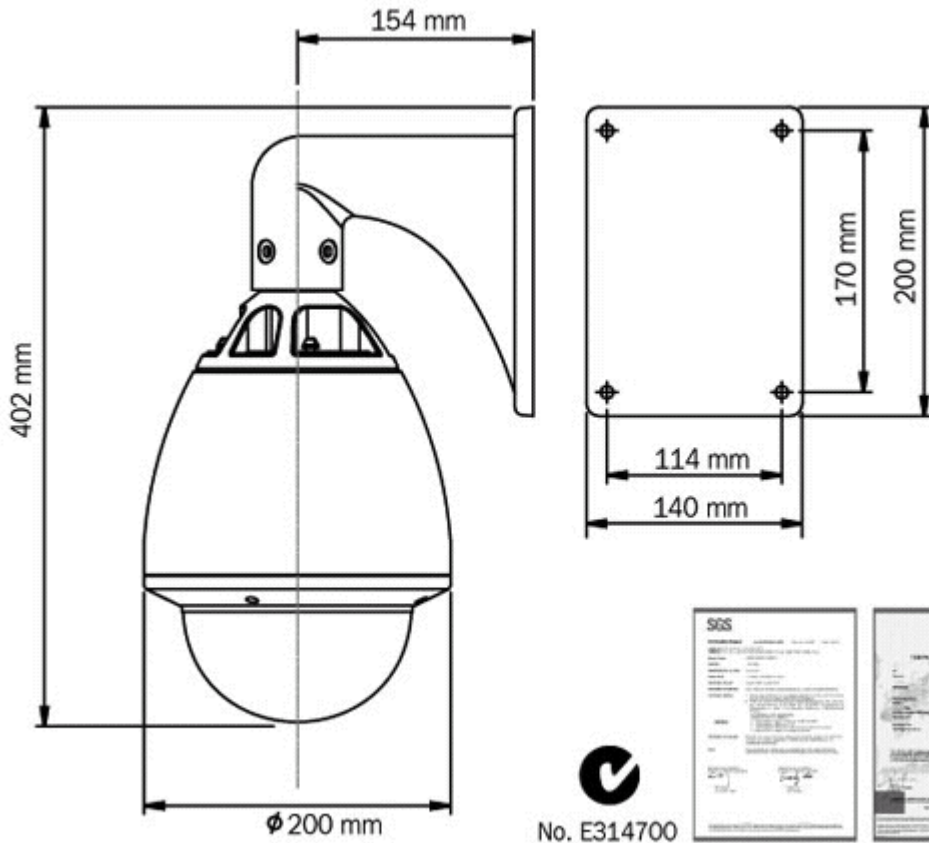
- ▶ 1/4" Colour Sony super HAD CCD
- ▶ 480 TV Lines, 0.03 Lux / 0.005 Lux (DSS on)
- ▶ Under 2.0 Lux into monochrome view
- ▶ Digital Slow Shutter (DSS)
- ▶ Auto iris
- ▶ 48 Back light compensation zone selectable
- ▶ F1.6~3.8, f = 3.9 ~ 85.8 mm
- ▶ 220X zoom (22X optical zoom, 10X digital zoom)
- ▶ Support ICR function
- ▶ Pan range 0~360°, speed 0.5~240°/S
- ▶ Tilt range 0~90°, speed 0.5~120°/S
- ▶ 128 Preset positions, 1 Auto cruising track
- ▶ RS-485 multi protocols communication
- ▶ AC24V power supply HOUSING
- ▶ External weather proof
- ▶ Built-in 24V heater and blower
- ▶ Die-cast metal construction
- ▶ Wall mount bracket included
- ▶ Sunshield available as option
- ▶ Size: 200 x 336 mm



### Product Specifications

Zoom Camera Module	CZ55HCM
Video Signal Output	1.0 Vp-p / 75ohm (Video 0.714Vp-p / Sync 0.286Vp-p)
Image Sensor	1/4" Sony super HAD CCD
Horizontal Resolution	480 TV Lines
AGC	Auto (24 dB Max)
ALC	Auto / Fix
AES	Auto / Fix

BLC	On / Off
White Balance	Auto (ATW or AWB)
Optical Zoom	22X Zoom
Digital Zoom	10X Zoom
Focus	Auto / Manual
Position	128 Position (Zoom, Focus)
External Control	RS-485
OSD Control	Zoom, Focus, Iris, AWB, AGC, Position, C Gain, APC Gain
Enhancer	Manual H.Gain & V Gain
H/V Reverse	Off / On
Motion Detect	Off / On
Mask	Off / On
Language	English / Chinese / Japanese
Cross Line	Off / On
Freeze	Off / On
Picture Effect	Posi. / Nega
Pan Range	0~360°, Speed 0.5~240°/sec
Tilt Range	0~90°, Speed 0.5~120°/sec
Auto Panning	128 Preset Positions (Max)
Auto Cruising	1 Auto Cruising Tracks(Max)
Power Source	AV24V / 1.7A
Operating Temperature	0° C~+60° C (Recommended 0° C~+40° C)
Humidity	10% ~ 90%



  
No. E314700  
UL

